

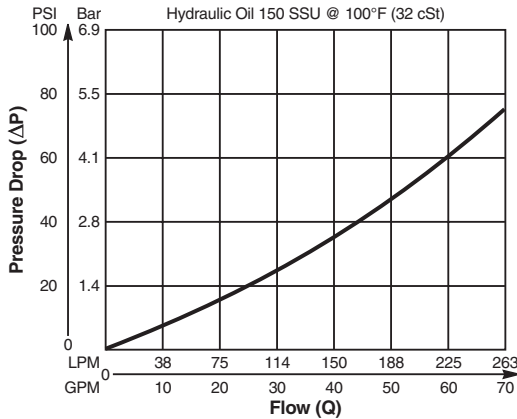
Valve/Cavity Compatibility

For additional information see Technical Tips on pages BC1-BC2.

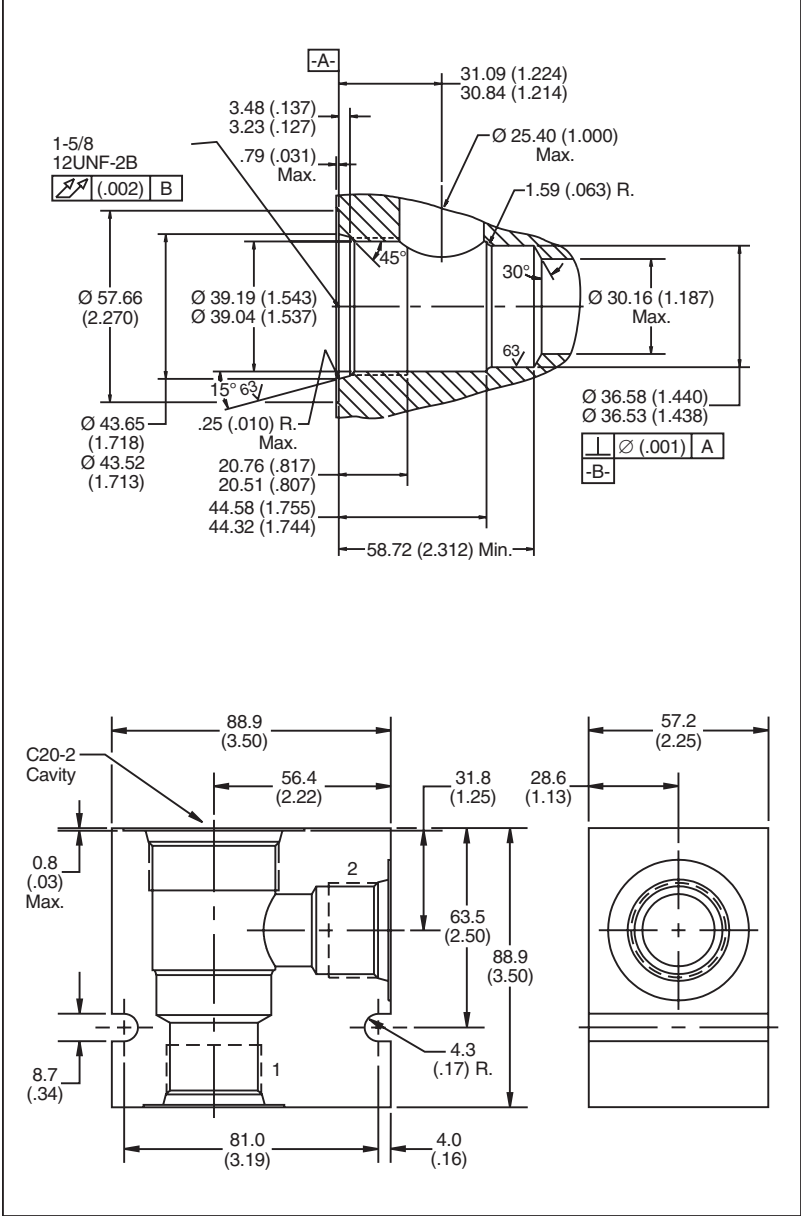
		VALVE				
		Winner's Circle	Parker	Waterman	FPS	CEC
CAVITY	Winner's Circle	X	X	X	X	X
	Parker	X	X	X	X	X
	Waterman	X	X	X	X	X
	FPS	X	X	X	X	X
	CEC	X	X	X	X	X

Performance Curve

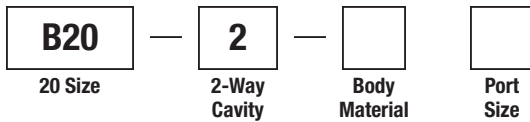
Pressure Drop vs. Flow



Dimensions Millimeters (Inches)



Ordering Information



Code	Body Material
Omit	Steel
A	Aluminum

Code	Port Size
20T	SAE - 20

Form Tool: Rougher None
 Finisher NFT20-2F
Weight: 6.3 kg (14 lbs.)

- CV
- Check Valves
- SH
- Shuttle Valves
- LM
- Load/Motor Controls
- FC
- Flow Controls
- PC
- Pressure Controls
- LE
- Logic Elements
- DC
- Directional Controls
- MV
- Manual Valves
- SV
- Solenoid Valves
- PV
- Proportional Valves
- CE
- Coils & Electronics
- CB
- Carpak Bodies
- BC
- Bodies & Cavities
- TD
- Technical Data